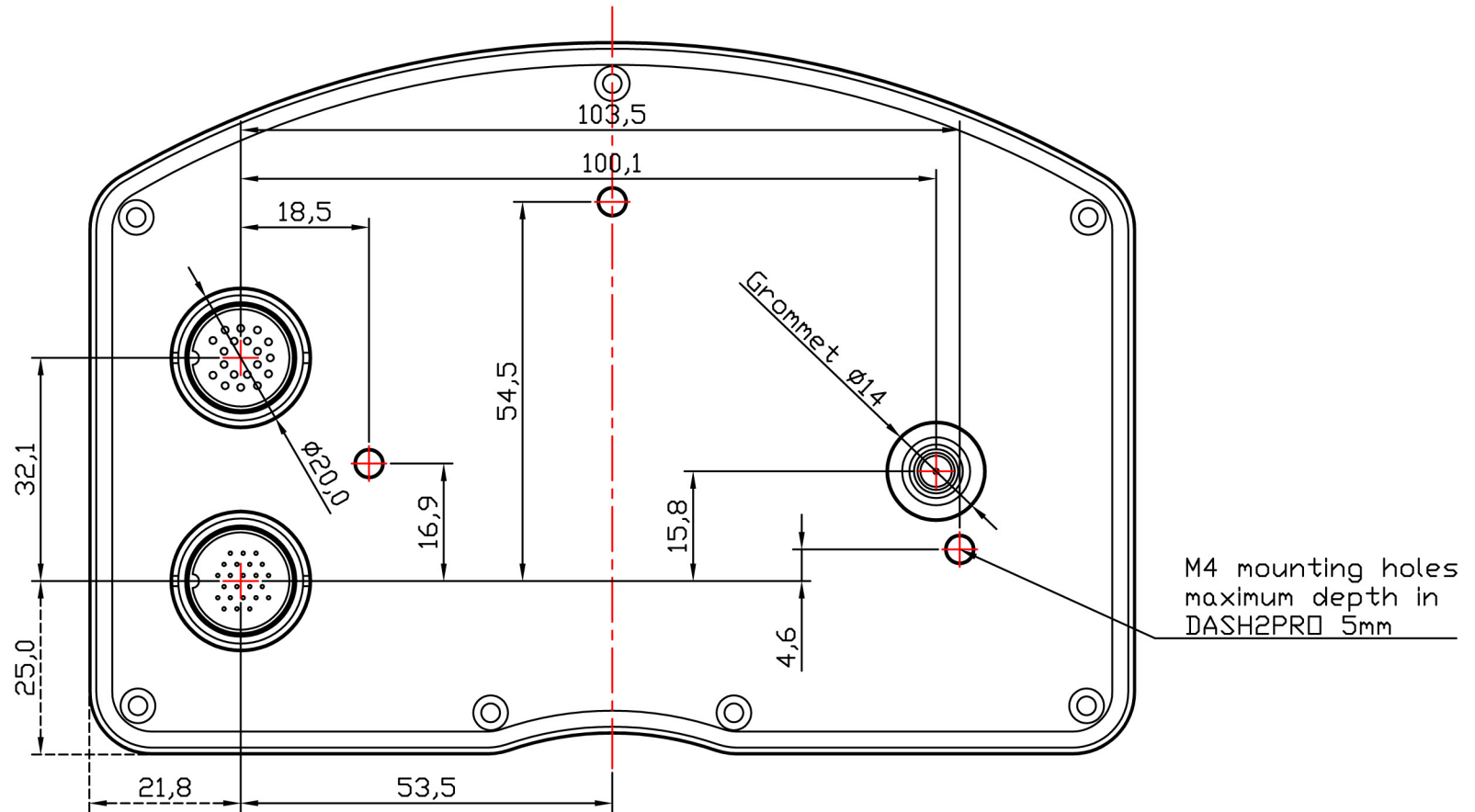


WHEN PRINTING FROM PDF, SCALING MUST BE SET TO NONE



DASH2 PRO. Scale 1:1

IMPORTANT: Drawing is reversed,
DASH2 PRO is pictured viewed from the front